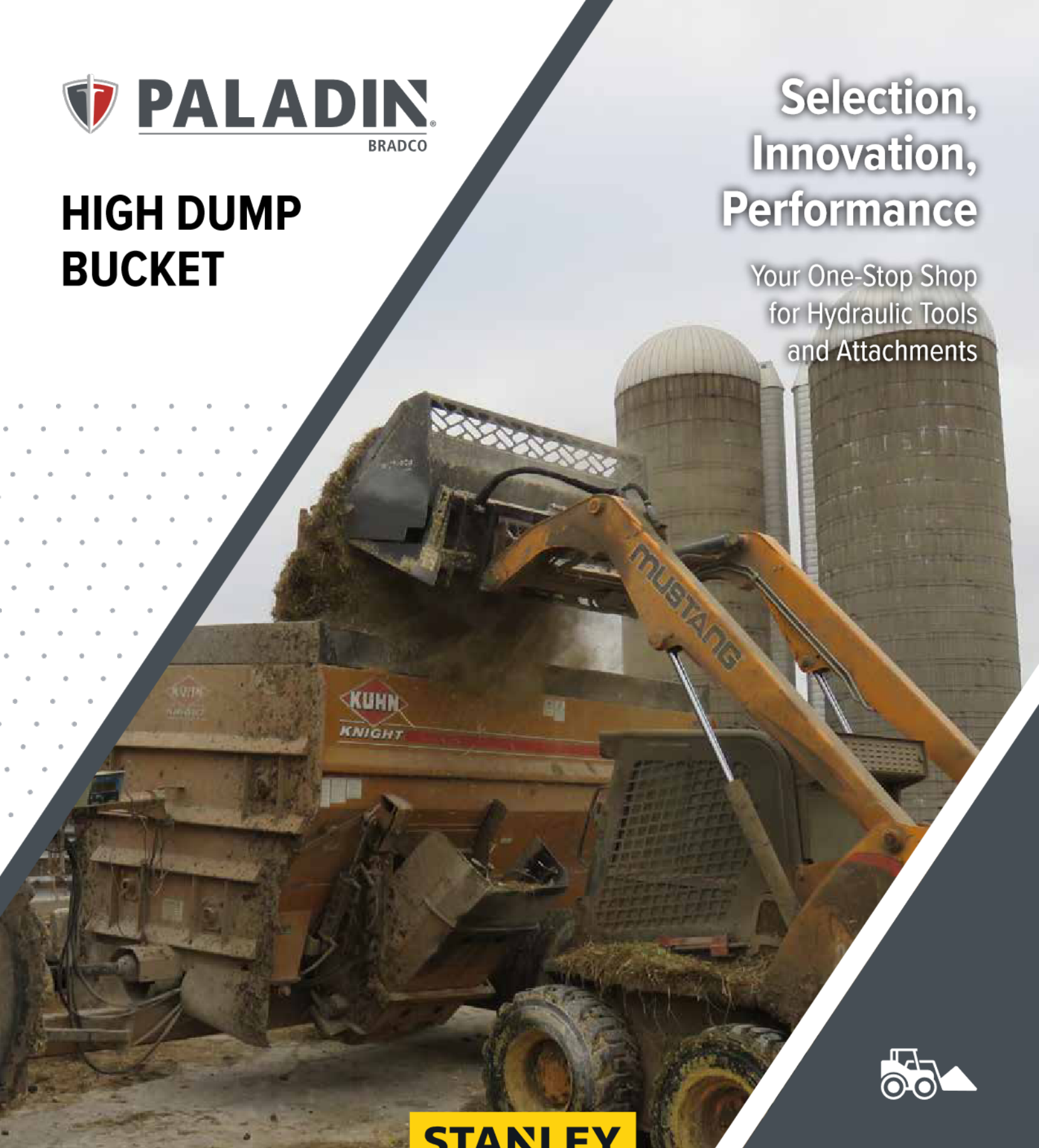




HIGH DUMP BUCKET

Selection, Innovation, Performance

Your One-Stop Shop
for Hydraulic Tools
and Attachments



STANLEY
Infrastructure

INDUSTRIAL TOOLS & ATTACHMENTS

 **PALADIN**  **STANLEY**  **LABOUNTY**  **PENGO**

BRADCO® HIGH-DUMP BUCKET

SPECIFICATIONS



The **Bradco® High-Dump** line of buckets allow users to increase the dumping height of their machine by 74 inches and load material into trucks, feed bins and reach other landing heights previously not obtainable with a standard bucket. This light material high-dump bucket exceeds all competitive units by offering increased capacities, cushioned hydraulics, 114° of roll out and the most robust design in the industry. These features translate to higher productivity and faster cycle times.

High Dump Bucket Features

- Robust industry leading design
- Increases dump height by 74" compared to standard buckets
- Dual cushion cylinders for smooth operation and rapid cycle times
- 1.5" diameter pivot pins from high-strength material

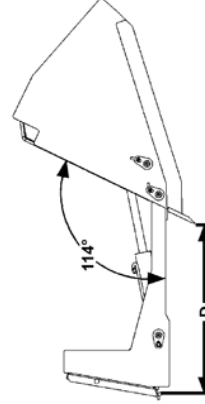
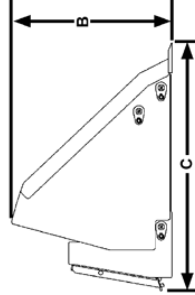
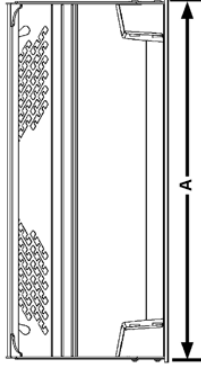
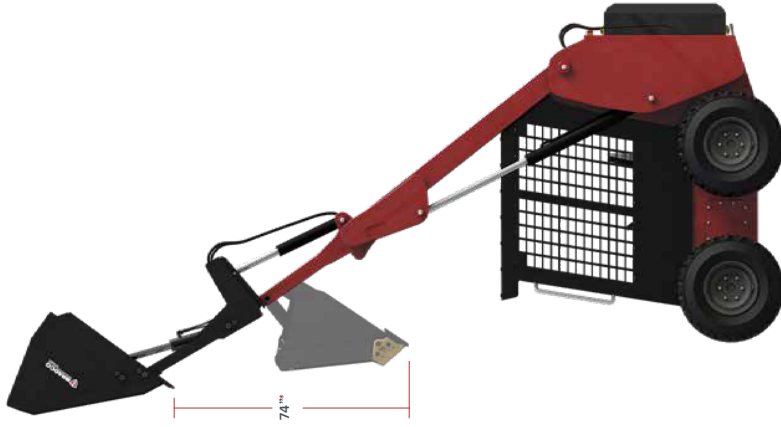


	60"	72"	84"	96"
Part Number	122651	122619	122657	122660
Weight (lbs)	1,000	1,145	1,250	1,350
Capacity (cu/yd)	1.00	1.19	1.44	1.68
A. Width (in)	60.75	73	84.75	97.5
B. Height (in)	32.38	32.38	32.38	32.38
C. Depth (in)	49.85	49.85	49.85	49.85
D. Rotation (deg)	114°	114°	114°	114°
Pin Size (in)	1.25	1.25	1.25	1.25
Cylinder Bore (in)	2.5	2.5	2.5	2.5
Cylinder Rod Diameter (in)	1.5	1.5	1.5	1.5

Optional Accessories

BOLT ON EDGES:

- 60": Part No. 15025, 7 HOLES X 9.00 SPACING
- 72": Part No. 15028, 7 HOLES X 11.00 SPACING
- 84": Part No. 16183, 9 HOLES X 9.75 SPACING
- 96": Part No. FFC10084, 16 HOLES X 6.00 SPACING



*Actual height advantage may vary depending on dimensions of standard bucket and make/model of prime mover.



COMPLETE SOLUTIONS AND SERVICE FOR HEAVY AND COMPACT EQUIPMENT

STANLEY
Infrastructure

6430 SE Lake Rd.
Portland, OR 97222
Tel. 833.723.1843
Fax 503.652.1780

www.stanleyinfrastructure.com
1120

