

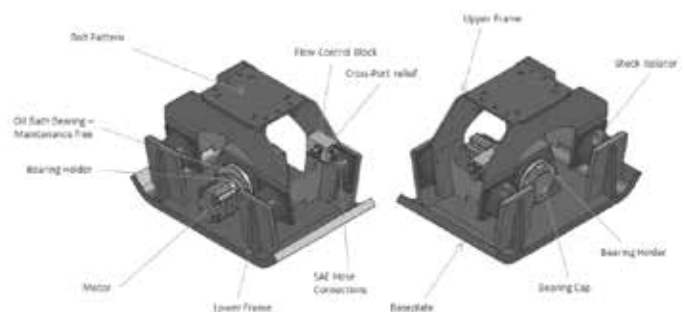


Features

- “Outboard” shock isolator location to provide the maximum stability in baseplate for optimal transmission of impulse force into effective compaction
- Isolators are angled to reduce damaging shear stresses in the isolator and extend life while providing a performance advantage in delivering compaction forces to the soil
- Integral Flow Control block manages flow and pressure to provide effective and repeatable compaction as well as to protect the hydraulic motor
- Oil bath bearing design maximizes bearing life while minimizing maintenance needs

Paladin® boom mounted TPC Plate Compactors provide the perfect combination of impulse force and frequency for handling trench and surface compaction needs. Each of the TPC models are focused to the needs of the contractor in road construction and repair, embankment preparation, utility and waste drain excavation backfill, as well as special needs in sheet, post, and plate driving for soil stabilization.

The TPC line of compactors provide feature to enhance compaction effectiveness as well as to protect the owners investment by limiting damaging forces resulting from operation and hydraulic impulses. Further, the TPC family is supported by the industries largest dealer network and service expertise.



SPECIFICATIONS	TPC250	TPC350	TPC1000	TPC2K	TPC4K	TPC10K
Impulse Force (lbs)	2500	3400	6400	8000	11350	22000
Operating Weight* (lbs)	353	525	946	1300	1940	3450
Min Carrier Weight (lbs)	5000	5000	9000	12000	16000	50000
Max Carrier Weight (lbs)	10000	14000	28000	40000	50000	130000
Baseplate Width (in)	11.75	18.75	23.5	24	25.5	33
Compaction Area (in ²)	352.5	487.5	822.5	912	981.75	1633.5
Vibrations Per Minute (vpm)	2200	2200	2200	2200	2200	2200
Maximum Flow (gpm)	25	25	25	40	60	70
Minimum Flow (gpm)	9	12	12	24	28	40
Max Back Pressure (psi)	250	250	250	250	250	250
Minimum Hose Size - Inlet (in)	½	½	¾	¾	¾	¾
Minimum Hose Size - Outlet (in)	½	½	¾	¾	¾	¾

*Approximate only. Actual weight will depend on installation and accessories.

